

Apprentice AU-6502

Uplighting

Architectural Lighting
Highlighting
Sign Lighting
Cross Lighting
Backlighting
Accent Lighting



NIGHTSCAPING®

1705 E. Colton Avenue
Redlands, California 92374
Tel: (909) 794-2121
Fax: (909) 794-7292
Help Line: (800) 544-4840
Email: info@nightscaping.com
<http://www.nightscaping.com>

The Nightscaping® Apprentice was recently designed to fill a gap in our product line following many requests by contractors and specifiers. The new uplight comes standard with a louver, MR-16 lamp, adjustable knuckle, adjustable eyebrow, and most importantly you can change the lamp without any tools. This fixture is light weight, durable, sleek and unique.

Standard Lamp:	MR-16 halogen, 20 watts 36° beam spread
Material:	Aluminum
Finish:	AU-6502 -1, -7 (Standard) AU-6502 -2, -3, -4, -8, -9, -AV, -VP, -W (Optional w/surcharge)
Louver:	Standard
Socket:	MR-16 (Bi-Pin)
Mounting:	Spike mounted

Nightscaping®

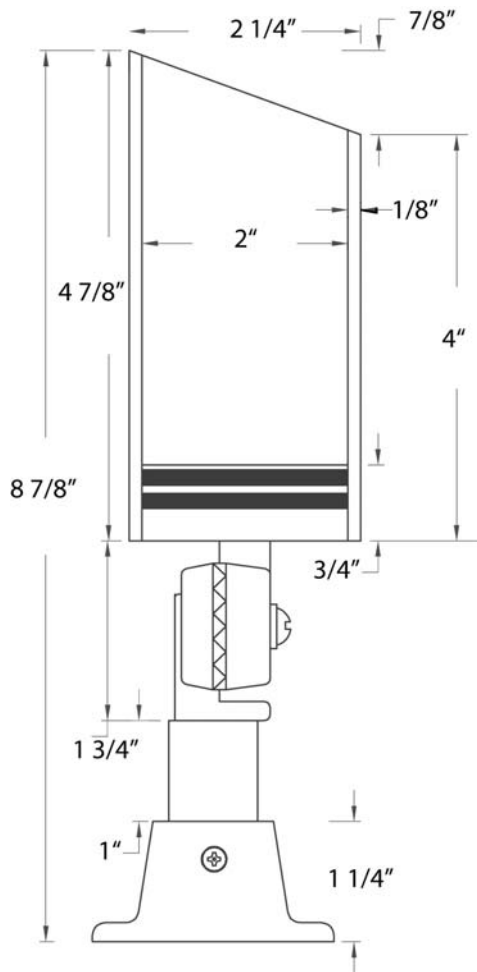
Apprentice

AU-6502

Nightscaping

Warranty:

10-Year 'Repair or Replace' Warranty.



	LO 2036 (BAB) (20W)	42° x 42°
2ft	1'6"	131.3 FC
4ft	3'0"	32.8
6ft	4'7"	14.6
8ft	6'1"	8.2
10ft	7'8"	5.3
12ft	9'2"	3.7
14ft	10'9"	2.7
16ft	12'3"	2.1
18ft	13'9"	1.6
20ft	15'4"	1.3

STANDARD LAMP PHOTOMETRIC

DESIGN TIP*