

JEM-Liter WM-0207CU

Downlighting
Moonlighting
Spot Lighting
Architectural Lighting
Patio Lighting
Gazebo Lighting
Sign Lighting
Wall Lighting
Cross Lighting



NIGHTSCAPING®

1705 E. Colton Avenue
Redlands, California 92374
Tel: (909) 794-2121
Fax: (909) 794-7292
Help Line: (800) 544-4840
E-mail: info@nightscaping.com
<http://www.nightscaping.com>

20 years of patient experimentation and listening to our contractors has resulted in the introduction of this new downlighting fixture. The WM-0207CU JEM-Liter offers a visually sleek and refined profile. The true measure of this fixture however is in the details:

- Two neoprene o-rings in machined brass base to assure watertightness
- Socket includes a lamp retaining spring clip to insure a constant fit in a downlighting application
- Solid brass ratcheting toothed knuckle for precise aiming
- Mounting bracket is contractor designed for easy installation, aiming and servicing. The three attachment points include one screw hole and two slotted ears
- Mounting bracket is equipped with a convenient wire release slot
- Each fixture is pre-wired with 35' of 16-2 UV inhibited stranded cable
- Risk of fire or liability is further decreased with an inline fuse.

Standard Lamp: LO2036 (Standard)
Material: Body: Copper
Bracket/knuckle: Brass
Finish: Natural Copper
WM-0207CU-V Copper Verde (additional Charges)
WM-0207CU-1, -7, -2, -3, -4, -8, -9, -AV, -VP, -W
(Optional w/surcharge)

Lens: Clear Pyrex Lens Sealed with Silicone Lenses (Standard)
Socket: Ceramic G6.35 Bi-Pin with Clips
Mounting: Bracket/knuckle

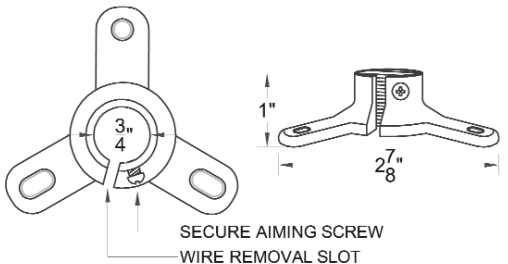
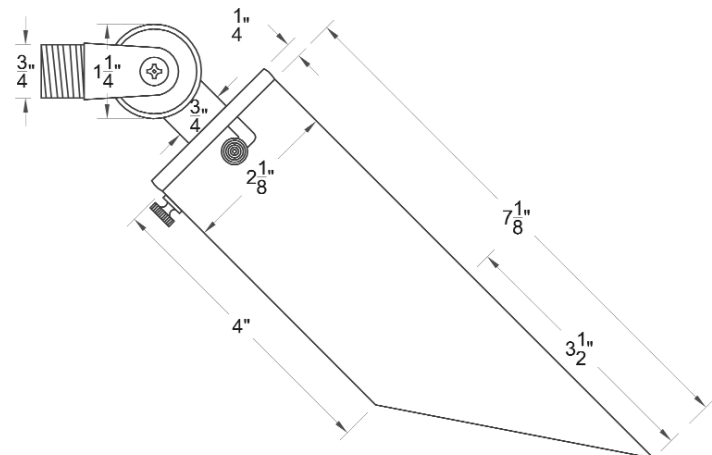
Nightscaping®

JEM-Liter

WM-0207CU

Nightscaping

Warranty: 10-Year 'Repair or Replace' Warranty.



BRASS MOUNTING BRACKET

	LO 2036 (BAB) (20W)	42° x 42°
2ft	1'6"	131.3 FC
4ft	3'0"	32.8
6ft	4'7"	14.6
8ft	6'1"	8.2
10ft	7'8"	5.3
12ft	9'2"	3.7
14ft	10'9"	2.7
16ft	12'3"	2.1
18ft	13'9"	1.6
20ft	15'4"	1.3

STANDARD LAMP PHOTOMETRIC

DESIGN TIP*