

# Walliter GU-0508

Uplighting

Architectural Lighting

Fountain/Statue Lighting

Highlighting

Sign Lighting

Wall Lighting

Cross Lighting

Backlighting

Reflective Lighting

Mirror Lighting



## Nightscaping®

1705 E. Colton Avenue  
Redlands, California 92374  
Tel: (909) 794-2121  
Fax: (909) 794-7292  
Help Line: (800) 544-4840  
Email: [wlocklin@nightscaping.com](mailto:wlocklin@nightscaping.com)  
<http://www.nightscaping.com>

Use the Nightscaping® brand Walliter to uplight trees, graze buildings or highlight walls. Above-ground shielding and a stainless steel gimbal ring that allows the lamp to pivot, enables you to precisely aim and position the light produced. Featuring Nightscaping's® exclusive 78-40 safety switch, this fixture will turn itself off if obstructed by mulch or fallen leaves that can result in excess heat. And subsequently, turn itself back on once the lamp cools.

**Standard Lamp:** PAR36 Screw Terminal Lamps:  
GU-0508 -LO4414 (Standard)

**Material:** **Body:** Black ABS Conduit  
**Gimbal Ring:** Stainless Steel

**Finish:** GU-0508  
Unpainted ABS Black Direct Burial Conduit (Standard)

**Mounting:** Direct Burial (Standard)

*Nightscaping*<sup>®</sup> The Safe System

# Walliter

## GU-0508



*Nightscaping*™ The Safe System

**Alternative Lamps:** GU-0508 -LO4405\*, -LO4406, -LO4411, -LO4415, -LO4416, -LO4446\*, -LO25NSP\*, -LO25VNS\*, -LO25VWFL\*, -LO25WFL\*, -LO36NSP\*, -LO36VNS\*, -LO36WFL\*, -LO50NSP\*, -LO50VNS\*, -LO50VWFL\*, -LO50WFL\*

**Halogen PAR36 Screw Terminal Lamps:**  
 GU-0508 -LO7600\*, -LO7606\*, -LO7610\*, -LO7616\*, -LOH35NSP\*, -LOH35VNS\*, -LO35WFL\*, -LOH50NSP\*, -LOH50VNS\*, -LOH50WFL\*

\* = Surcharge

**Options:** See above indications

**Accessories:** **Gimbal Ring: Replaces existing Master-liter and/or Monetliter MR-16 Assembly to Walliter PAR-36**  
 GR-0600SS

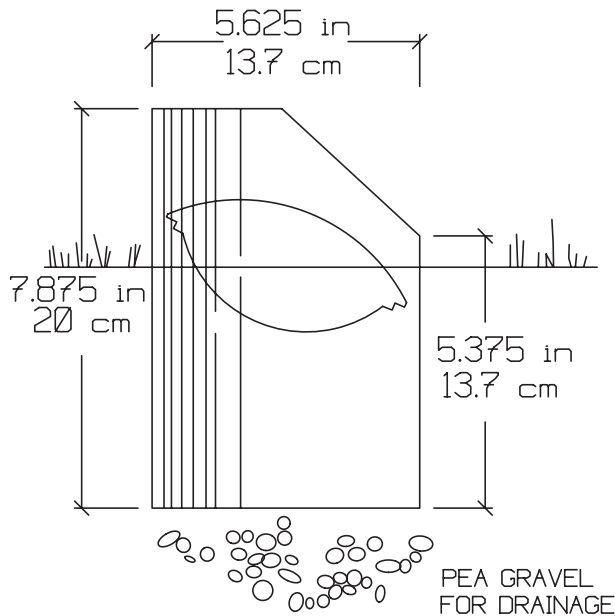
**Grates: Fit securely on inside/top of fixture for minimum light output interference but maximum side shielding. Body must be inverted.**  
 GI-0505 -1, -2, -3, -4, -7, -8, -9, -AV, -VP, -W Inner Round Grate - Aluminum  
 GL-0606-1, -2, -3, -4, -7, -8, -9, -AV, -VP, -W Outer Round Grate - Aluminum  
 GL-0607-1, -2, -3, -4, -7, -8, -9, -AV, -VP, -W Outer Square Grate - Steel  
 GL-0607BR Outer Square Grate - Brass  
 GL-0607BR-1, -2, -3, -4, -7, -8, -9, -AV, -VP, -W Outer Square Grate - Powder-coated Brass

**Lens: Do not use lens with lamps over 25 Watts or Narrow Spot Lamps.**  
 NS-LL-A, -B, -C, -G, -R, -S, -SG Plexiglass

**Lens Holder:**  
 HD-LL-BR Lens (NS-LL) Holder - Brass  
 HD-LL-FE Lens (NS-LL) Holder - Steel (Black)  
 HD-LL-FE-2, -3, -4, -7, -8, -9, -AV, -VP, -W Lens (NS-LL) Holder - Steel (Powder-coated)

**Lens Holder with Lens:**  
 HD-LL-BR-A, -B, -C, -G, -R, -S, -SG Lens Holder (Brass) - Colored Lens (Plexiglass)  
 HD-LL-FE-A, -B, -C, -G, -R, -S, -SG Lens Holder (Steel) - Colored Lens (Plexiglass)

**Warranty:** 10-Year 'Repair or Replace' Warranty.



	LO 4414 (14.9W)	50° x 25°
2ft	1'10" x 10"	266.0 FC
4ft	3'8" x 1'9"	66.5
6ft	5'7" x 2'8"	29.6
8ft	7'5" x 3'6"	16.6
10ft	9'4" x 4'5"	10.6
12ft	11'2" x 5'4"	7.4
14ft	13' x 6'2"	5.4
16ft	14'11" x 7'	4.2
18ft	16'9" x 7'11"	3.3
20ft	18'7" x 8'10"	2.7

STANDARD LAMP PHOTOMETRIC

## DESIGN TIP\*

Do not use plexiglass lens option in combination with narrow beam lamps or lamps in excess of 25 watts.