

# Vermeer (grate) BM-4552

Uplighting  
Underwater Lighting  
Architectural Lighting  
Fountain/Statue Lighting  
Highlighting  
Sign Lighting  
Wall Lighting  
Backlighting  
Reflective Lighting  
Mirror Lighting



**Nightscaping®**  
1705 E. Colton Avenue  
Redlands, California 92374  
Tel: (909) 794-2121  
Fax: (909) 794-7292  
Help Line: (800) 544-4840  
Email: [wlocklin@nightscaping.com](mailto:wlocklin@nightscaping.com)  
<http://www.nightscaping.com>

Cast light distances of up to 50' with the Vermeer featuring a rock grate. Use this fixture to graze buildings, uplight trees and flags or anywhere a controlled beam of light is required. You can also use this fixture, backed by a lifetime guarantee, for fountain and pond lighting applications.

**Standard Lamp:** BM-4552BR -LO2036 (Standard)

**Material:** All Pressurized Die-Cast Brass

**Finish:** BM-4552 BR (Standard) Brass  
BM-4552 BR-V Brass-Verde  
BM-4552 BR-1, -2, -3, -4, -7, -8, -9, -AV, -VP, -W  
(Optional w/surcharge)

**Lens:** Clear Tempered Glass (Standard)

**Socket:** Ceramic G6.35 Bi-Pin

**Mounting:** Ground Mount as Well-Light or Surface Mount in Fountains and Ponds (Standard)

*Nightscaping*<sup>®</sup> The Safe System

# Vermeer (grate)

## BM-4552



*Nightscaping*™ The Safe System

**Alternative Lamps:** BM-4552BR -LO1024\*, -LO2006, -LO2012, -LO3512, -LO3520, -LO3540, -LO4208, -LO5012, -LO5024,-LO5038, -LO5055, -LH5024\*, -LH5036\* (Optional)

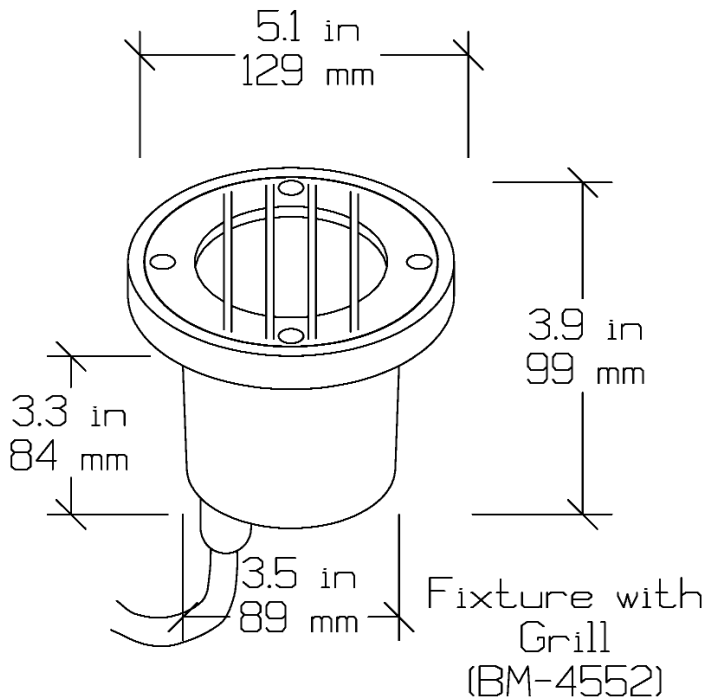
\* = Surcharge

**Options:** See above indications  
**Lamp Holder:** BM-4552BR-LO2036 -ALH Adjustable Lamp Holder

**Accessories:**

- Lens:** NS-VM-C (Standard/Accessory) Clear Lens
- Stand:** 4551BR Vermeer Stand
- Lens Holders - Brass:**
  - B-0001 Convert existing Vermeer with this Ring Lens Holder. (Also replaces BM-4551BR lens holder)
  - B-0002 Convert existing Vermeer with this Grate Lens Holder. (Also replaces BM-4552BR lens holder)
  - B-0003 Convert existing Vermeer with this Shield Lens Holder. (Also replaces BM-4553BR lens holder)
  - B-0004 Convert existing Vermeer with this Diffuser Lens Holder. (Also replaces BM-4554BR lens holder)

**Warranty:** LIFE 'Repair or Replace' Warranty to original Owner.



	LO 2036 (BAB) (20W)	42° x 42°
2ft	1'6"	131.3 FC
4ft	3'0"	32.8
6ft	4'7"	14.6
8ft	6'1"	8.2
10ft	7'8"	5.3
12ft	9'2"	3.7
14ft	10'9"	2.7
16ft	12'3"	2.1
18ft	13'9"	1.6
20ft	15'4"	1.3

STANDARD LAMP PHOTOMETRIC

### DESIGN TIP\*

Use in wet or dry locations.