

Tikiliter GD-5508CU

Downlighting
Pathlighting
Architectural Lighting
Patio/Gazebo Lighting
Dock/Dock Lighting
Recreational Lighting
Stairway/Step Lighting
Reflective Lighting
Area Lighting



Nightscaping®
1705 E. Colton Avenue
Redlands, California 92374
Tel: (909) 794-2121
Fax: (909) 794-7292
Help Line: (800) 544-4840
Email: wlocklin@nightscaping.com
<http://www.nightscaping.com>

Add a festive touch of island style to any landscape with the Nightscaping® Tikiliter. The Tikiliter offers you the best of both worlds with a kerosene/citronella burning wick torch on top and a 12-volt pathlight on the bottom. This combination creates both a tropical atmosphere and functional safety or traverse lighting.

Standard Lamp: GD-5508CU -LO1156 (Standard)

Material: Top/Stem: Copper

Finish: GD-5508CU (Standard)

Socket: Non-corroding polycarbonate (Single-Contact Bayonet)

Mounting: Stem Mount (Standard)

Nightscaping™ The Safe System

Tikiliter

GD-5508CU



Nightscaping™ Safe System

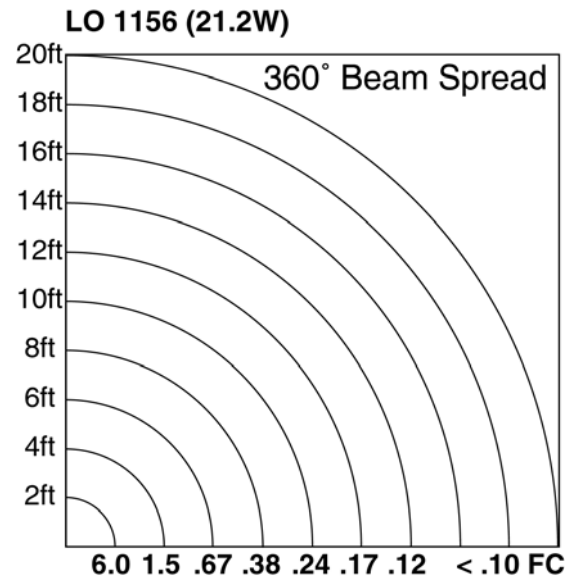
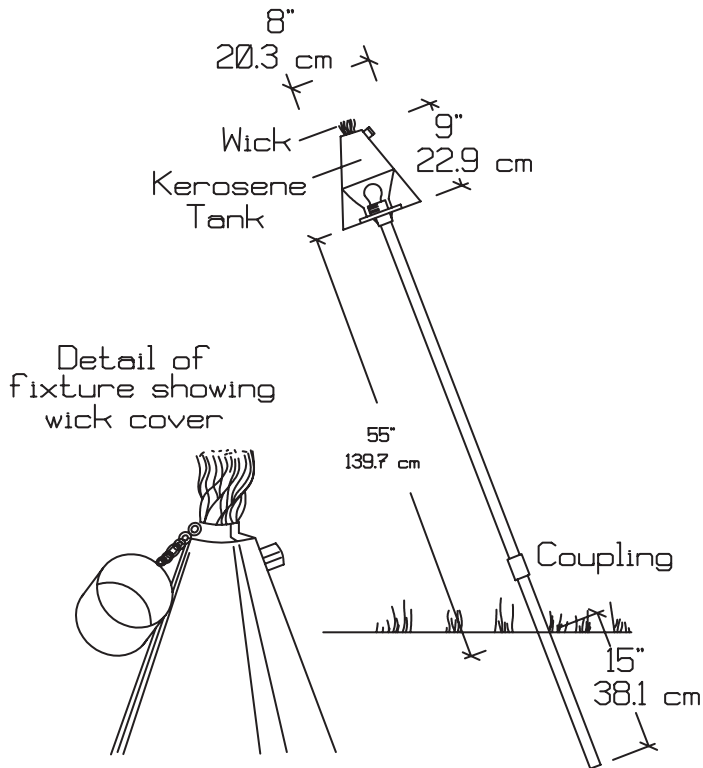
Alternative Lamps: GD-5508CU -LO1141, , -LO67, -LO89, -LO93 (Optional)

Options: See above indications

Accessories: **Wick:** WI-0404 4" Tikiliter Wick. Burns approximately 4 hours. Wick should be kept covered, when not in use, to prevent water saturation. Citronella Oil may be used to deter insects in the area.

Warranty: 10-Year 'Repair or Replace' Warranty.

This is an open flame fixture - Use with extreme caution!



STANDARD LAMP PHOTOMETRIC