

# Sunliter TD-0502CU

Downlighting  
Architectural Lighting  
Patio/Gazebo Lighting  
Fountain/Statue Lighting  
Area Lighting  
Wall Lighting  
Moonlighting  
Recreational Lighting  
Backlighting  
Highlighting  
Flood Lighting



**Nightscaping®**  
1705 E. Colton Avenue  
Redlands, California 92374  
Tel: (909) 794-2121  
Fax: (909) 794-7292  
Help Line: (800) 544-4840  
Email: wlocklin@nightscaping.com  
<http://www.nightscaping.com>

Use the Nightscaping® Sunliter in downlighting applications where the fixture will be seen. This attractive, round, solid copper fixture has a natural look. The verde patina finish blends well with foliage or looks great on its own. This fixture is only available in Copper or Copper Verde.

**Standard Lamp:** TD-0502CU -LO2036 (Standard)

**Material:** **Body:** Copper

**Finish:** TD-0502 CU (Standard) Copper  
TD-0502 CU-V Copper-Verde  
TD-0502 CU-1, -2, -3, -4, -7, -8, -9, -AV, -VP, -W  
(Optional w/surcharge)  
TD-0502 SS Stainless Steel  
(Call Factory for Quote)

**Lens:** Clear Pyrex Lens (Standard) - sealed with silicone

**Socket:** Ceramic G6.35 Bi-Pin

**Mounting:** Hanging Finial (Standard)

*Nightscaping*<sup>®</sup> The Safe System

# Sunliter

## TD-0502CU



*Nightscaping*<sup>™</sup> The Safe System

|                           |               |   |
|---------------------------|---------------|---|
| <b>Alternative Lamps:</b> | TD-0502CU     | -LO1024*, -LO2006, -LO2012, -LO3512, -LO3520, -LO3540, -LO4208, -LO5012, -LO5024, -LO5038, -LO5055, -LH5024*, -LH5036* (Optional) |
|                           | BD-0502CU     | -LO93 (SCB Lamp Option)   |
|                           | BD-0502CU     | -LO1141, -LO1156, -LO1195*, -LO1383*, -LO25*, -LO67, -LO89 (SCB Lamp Option)  |
|                           | * = Surcharge |   |

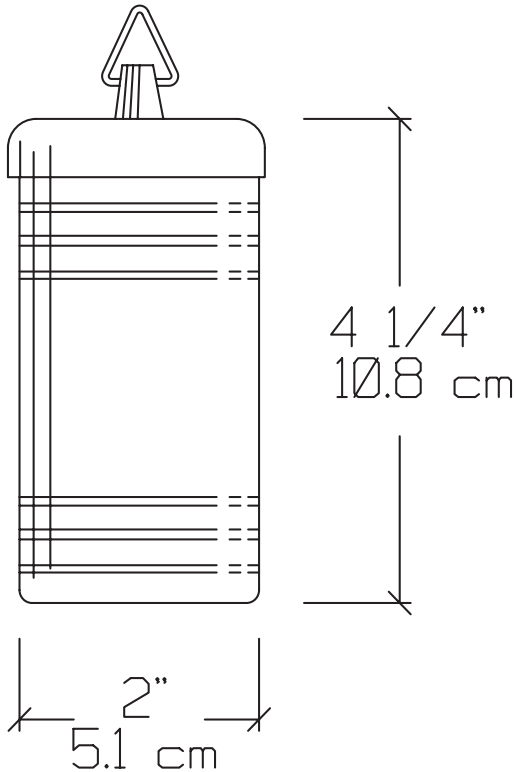
**Lens:** TD-0502CU-LO2036 -A, -B, -G, -MB, -R, -S (Optional)

**Options:** See above indications

**Accessories:**

|   |  |                                 |
|---|--|---------------------------------|
| <b>Lens:</b>  | NS-CU-C (Standard/Accessory)   | Clear Lens                      |
|   | NS-CU-A, -B, -G, -MB, -R, -S   | Colored Lens                    |
| <b>Light Shield: Used for extra light shielding</b> | 0602-S-CU  | Copper                          |
|   | 0602-S-CU-V  | Copper-Verde                    |
|   | 0602-S-CU-1, -2, -3, -4, -7, -8, -9, -AV, -VP, -W (Optional w/surcharge) |                                 |
| <b>Louvre:</b>                                      | LR-0202  | Round 1/8" Black Louvre - Steel |

**Warranty:** 10-Year 'Repair or Replace' Warranty.



|      | LO 2036 (BAB) (20W) | 42° x 42° |
|------|---------------------|-----------|
| 2ft  | 1'6"                | 131.3 FC  |
| 4ft  | 3'0"                | 32.8      |
| 6ft  | 4'7"                | 14.6      |
| 8ft  | 6'1"                | 8.2       |
| 10ft | 7'8"                | 5.3       |
| 12ft | 9'2"                | 3.7       |
| 14ft | 10'9"               | 2.7       |
| 16ft | 12'3"               | 2.1       |
| 18ft | 13'9"               | 1.6       |
| 20ft | 15'4"               | 1.3       |

STANDARD LAMP PHOTOMETRIC