

# Softliter GU-0403CU

Uplighting  
Backlighting  
Reflective Lighting  
Architectural Lighting  
Sign Lighting  
Wall Lighting  
Mirror Lighting  
Highlighting



**Nightscaping®**  
1705 E. Colton Avenue  
Redlands, California 92374  
Tel: (909) 794-2121  
Fax: (909) 794-7292  
Help Line: (800) 544-4840  
Email: [wlocklin@nightscaping.com](mailto:wlocklin@nightscaping.com)  
<http://www.nightscaping.com>

Use the Softliter for backlighting, highlighting, and silhouetting applications that call for subdued, soft lighting. Constructed from solid copper materials, the Softliter incorporates a frosted lens to soften its light output for very inconspicuous lighting applications. The elegant design matches the effects produced and results in both a functional and aesthetically pleasing fixture.

**Standard Lamp:** GU-0403CU -LO912 (Standard)

**Material:** Top/Stem: Copper

**Finish:** GU-0403 CU (Standard) Copper  
GU-0403 CU-V Copper-Verde  
GU-0403 CU-1, -2, -3, -4, -7, -8, -9, -AV, -VP, -W  
(Optional w/surcharge)

**Lens:** Frosted Tempered Glass (Standard)

**Socket:** Non-corroding Noryl™ (Wedge Base)

**Mounting:** Spike Mount (Standard)

*Nightscaping*™ The Safe System

# Softliter

## GU-0403CU



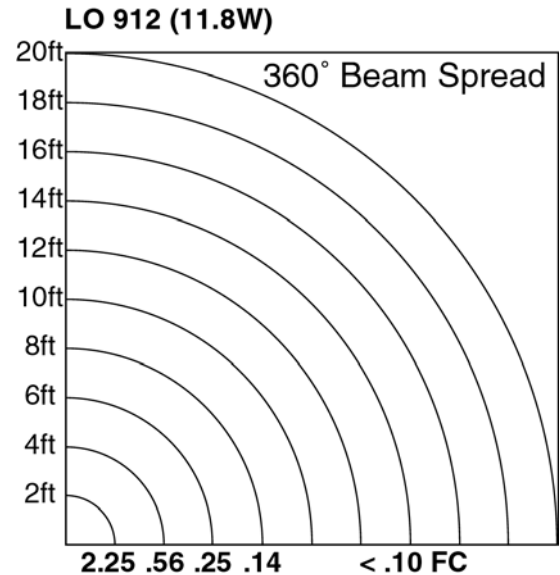
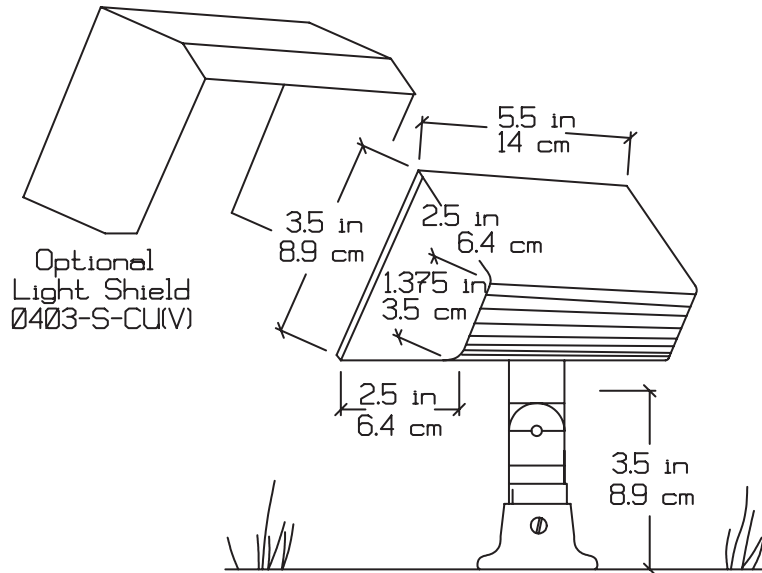
*Nightscaping*<sup>™</sup> The Safe System

<b>Alternative</b>	GU-0403CU	-LO904, -LO906, -LO921 (Optional)
<b>Lamps:</b>	Bi-Pin Lamp:	-LOQ5*, -LOQ10*, -LOQ20* (Max) (Optional w/surcharge)

<b>Options:</b>	See above indications	
<b>Lamps:</b>	GU-0403CU-LO912 -LA2	Two Lamps. (Call Factory for Quote)
<b>Mounting:</b>	GU-0403CU-LO912 -CM	Conduit Mount with 1/2" male pipe threads. (Factory installed)
	GU-0403CU-LO912 -FMO	Floor Mount - Brass

<b>Accessories:</b>	<b>Lens:</b>	
	NS-SL-C (Standard/Accessory)	Clear Lens
	NS-SL-MB, -S	Colored Lens
	<b>Light Shield:</b> Used for extra light shielding	
	0403-S-CU	Copper
	0403-S-CU-V	Copper-Verde
	0403-S-CU-1, -2, -3, -4, -7, -8, -9, -AV, -VP, -W (Optional w/surcharge)	

**Warranty:** 10-Year 'Repair or Replace' Warranty.



STANDARD LAMP PHOTOMETRIC