

Seegarliter GD-7520CU

- Pathlighting
- Stairway/Step Lighting
- Backlighting
- Reflective Lighting
- Architectural Lighting
- Highlighting
- Wall Lighting



Nightscaping®
1705 E. Colton Avenue
Redlands, California 92374
Tel: (909) 794-2121
Fax: (909) 794-7292
Help Line: (800) 544-4840
Email: wlocklin@nightscaping.com
<http://www.nightscaping.com>

Mount the Nightscaping® Seegarliter through rock walls, along paths, around swimming pools, steps, stairs and drives. If you need a versatile, discreet fixture for safety lighting, the Seegarliter is the perfect choice. The features of placement and output control through the selection and positioning of its wedge-base lamp further the flexibility available to you from this fixture.

Standard Lamp: GD-7520CU -LO912 (Standard)

Material: Top/Stem: Copper

Finish: GD-7520 CU (Standard) Copper
GD-7520 CU-V Copper-Verde
GD-7520 -1, -2, -3, -4, -7, -8, -9, -AV, -VP, -W
(Optional w/surcharge)

Socket: Non-corroding Noryl™ (Wedge Base)

Mounting: Stem Mount Direct Burial (Standard)

Nightscaping The Safe System

Seegarliter

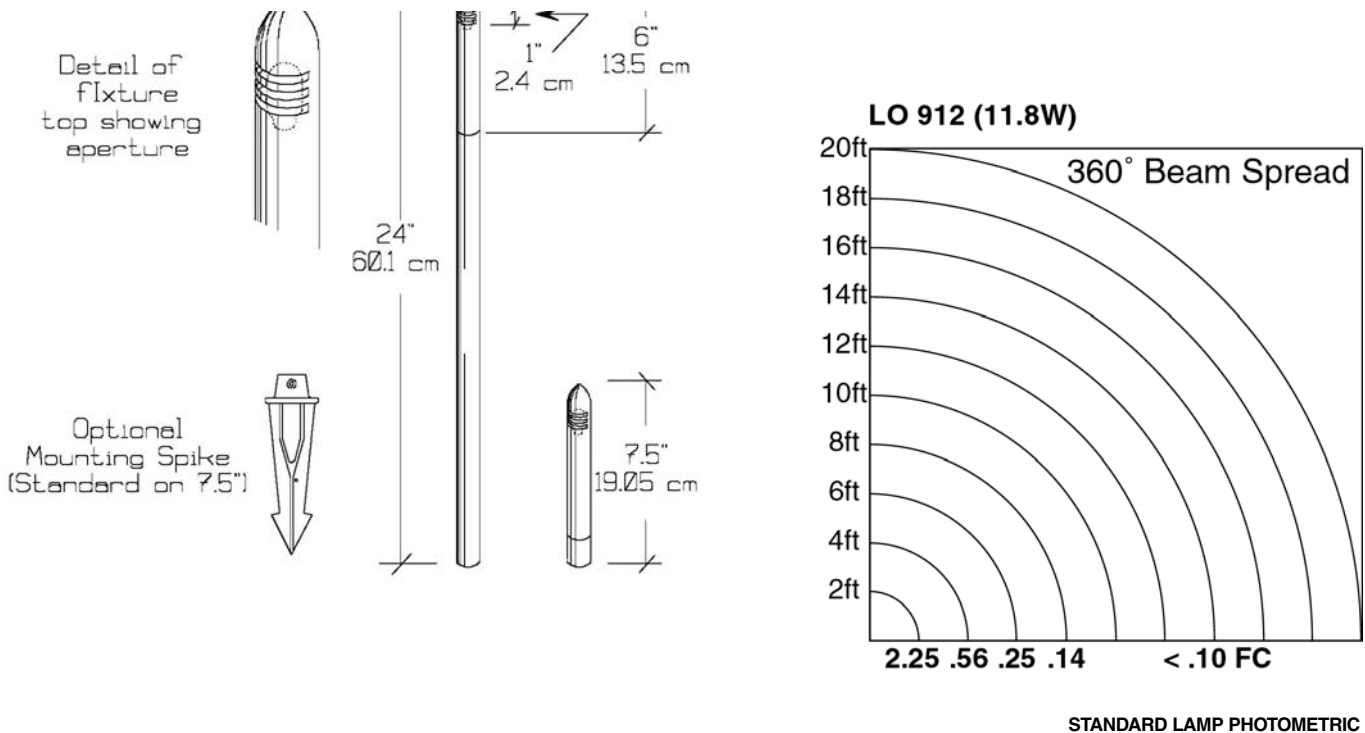
GD-7520CU



Nightscaping™ The Safe System

Alternative Lamps:	GD-7520CU	-LO904, -LO906, -LO921 (Optional)	
Fixture Options:	GD-7575-LO9012	7.5" Seegarliter w/Brass Spike	
	GD-7575-LO9012	CU, CUV	
	GD-7575-LO9012	-1, -7 (Standard)	
	GD-7575-LO9012	-W, -VP, -2, -3, -4, -8, -9, -V (Optional w/surcharge)	
Mounting Options:	GD-7575-LO9012	-FMO	Floor mount
	GD-7575-LO9012	-CM	Conduit mount
Options:	See above indications		
	Tops:		
	GD-7520CU-LO912	-C	Three horizontal slots (360°)
	GD-7520CU-LO912	-F	Full glass top
	GD-7520CU-LO912	-H	Half glass top
	GD-7520CU-LO912	-V	Vertical slots
	GD-7520CU-LO912	-KN	Brass knuckle
Accessories:	Elbow:		
	ELB-7520CU	-90	90° Elbow
Warranty:	10-Year 'Repair or Replace' Warranty.		

NOTE: Also available in a 7.5" version with a standard metal spike *(GD-7575). See drawing below.



DESIGN TIP*

Versatile fixture: Great for lighting short walls. Also available with a glass lens, and in a 7.5" version with spike. Optional knuckle located 6" from top of fixture.