

Scout GD-1504CU

Pathlighting

Architectural Lighting

Stairway/Step Lighting

Downlighting

Highlighting



Nightscaping®

1705 E. Colton Avenue
Redlands, California 92374
Tel: (909) 794-2121
Fax: (909) 794-7292
Help Line: (800) 544-4840
Email: wlocklin@nightscaping.com
<http://www.nightscaping.com>

Use the Nightscaping® Scout wherever a discreet, durable and adjustable pathlight is needed. The Scout's innovative design allows you to modify and control the light pattern produced to meet your exact need. This fixture is appropriate for providing both effective traverse lighting or for downlighting specimen plant materials in low-lying planters, raised beds, or around hardscape borders.

Standard Lamp: GD-1504CU -LOQ20 (Standard)

Material: **Top/Stem:** Copper
Also available in Stainless Steel

Finish: GD-1504 CU (Standard) Copper
GD-1504 CU-V Copper-Verde
GD-1504 CU-1, -2, -3, -4, -7, -8, -9, -AV, -VP, -W
(Optional w/surcharge)

Lens: Clear Pyrex Tubing (Standard)

Socket: Ceramic G4 Bi-Pin

Mounting: Spike Mount (Standard)

Nightscaping The Safe System

Scout GD-1504CU



Nightcaping™ The Safe System

Alternative Lamps: GD-1504CU -LOQ5, -LOQ10, -LOQ35, LOQX20, LOQX10, LOQX5(Optional)

Options: -H12 (12" Bushing) -H05 (5" Bushing)

Mounting:

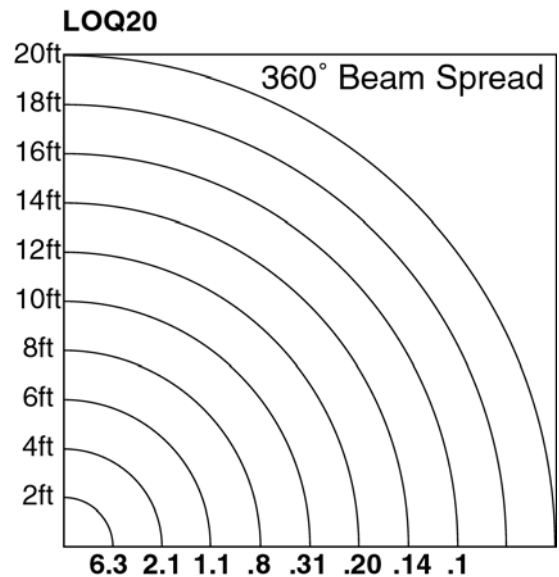
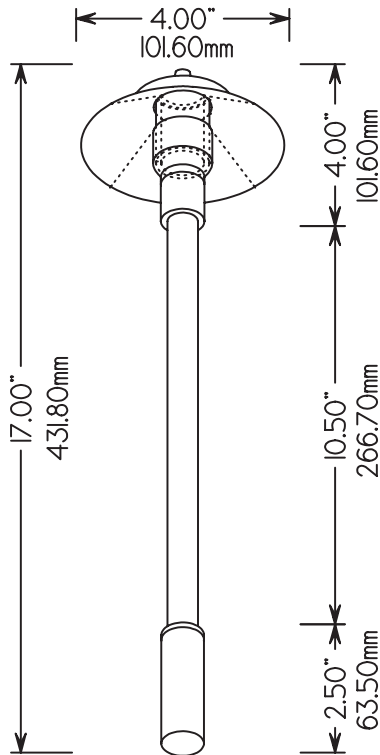
GD-1504CU -LOQ20 -CM	Conduit Mount with ½" male pipe threads. (Factory installed)
GD-1504CU -LOQ20 -FMO	Floor Mount - Brass
GD-1504CU -LOQ20 -S	Shield

Accessories:

See above indications
1504-S-CU Shield

Warranty:

10-Year 'Repair or Replace' Warranty.



STANDARD LAMP PHOTOMETRIC

DESIGN TIP*

Use the Scout in applications that call for highly controlled pathlighting.