

Powerliter GU-1305

Uplighting

Spot Lighting

Architectural Lighting

Fountain/Statue Lighting

Highlighting

Sign Lighting

Wall Lighting

Cross Lighting

Backlighting

Reflective Lighting

Mirror Lighting



Nightscaping®

1705 E. Colton Avenue
Redlands, California 92374
Tel: (909) 794-2121
Fax: (909) 794-7292
Help Line: (800) 544-4840
Email: wlocklin@nightscaping.com
<http://www.nightscaping.com>

Select from multiple PAR-36 lamps and beam spreads when you use the original Nightscaping® Powerliter. Use this fixture to uplight tall trees, graze or flood buildings and walls, or highlight focal points and more. The versatility of this fixture allows you to tackle most any outdoor lighting requirement.

Standard Lamp: PAR36 Screw Terminal Lamps:
GU-1305-1 -LO4414 (Standard)

Material: **Body:** Die-Cast Aluminum
Stem: Phosphatized Steel

Finish: GU-1305 -1, -7 (Standard)
GU-1305 -2, -3, -4, -8, -9, -AV, -VP, -W
(Optional w/surcharge)

Mounting: Spike Mount (Standard)

Nightscaping[®] The Safe System

Powerliter

GU-1305



Nightscaping™ The Safe System

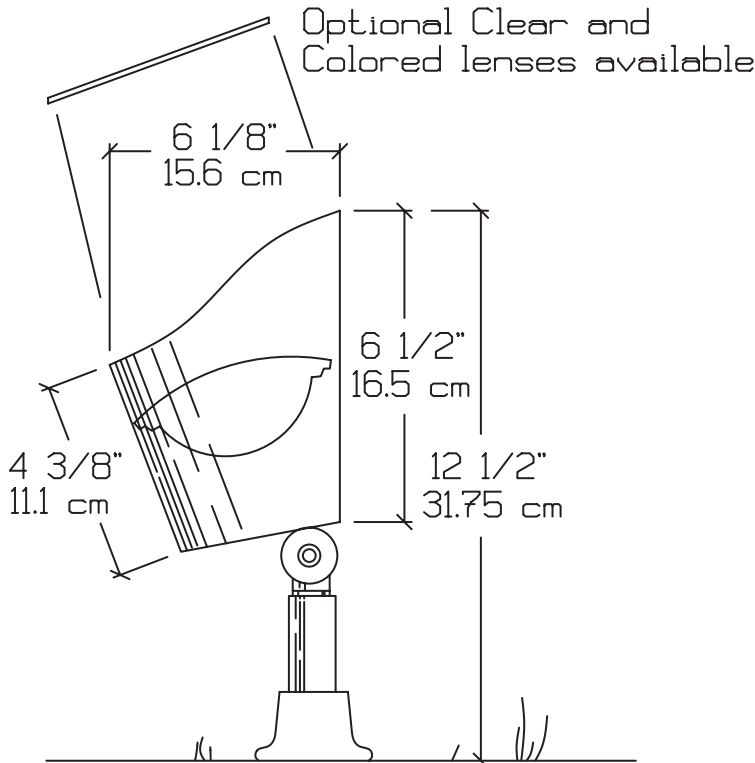
Alternative Lamps:	GU-1305-1	-LO4414 (Standard)
	GU-1305-1	-LO4405*, -LO4406, -LO4411, -LO4415, -LO4416, -LO4446*, -LO25NSP*, -LO25VNS*, -LO25VWFL*, -LO25WFL*, -LO36NSP*, -LO36VNS*, -LO36WFL*, -LO50NSP*, -LO50VNS*, -LO50VWFL*, -LO50WFL*
	Halogen PAR36 Screw Terminal Lamps:	
	GU-1305-1	-LO7600*, -LO7606*, -LO7610*, -LO7616*, -LOH35NSP*, -LOH35VNS*, -LO35WFL*, -LOH50NSP*, -LOH50VNS*, -LOH50WFL*
	* = Surcharge	

Mounting Options:	GU-1305-1-LO4414	-CM (Optional)	Conduit Mount with 1/2" male pipe threads. (Factory installed)
	GU-1305-1-LO4414	-FMO (Optional)	Floor Mount - Aluminum

Options: See above indications

Accessories:	Lens:	
	NS-PL-A, -B, -C, -G, -R, -S	Plexiglass

Warranty: 10-Year 'Repair or Replace' Warranty.



	LO 4414 (14.9W)	50° x 25°
2ft	1'10" x 10"	266.0 FC
4ft	3'8" x 1'9"	66.5
6ft	5'7" x 2'8"	29.6
8ft	7'5" x 3'6"	16.6
10ft	9'4" x 4'5"	10.6
12ft	11'2" x 5'4"	7.4
14ft	13' x 6'2"	5.4
16ft	14'11" x 7'	4.2
18ft	16'9" x 7'11"	3.3
20ft	18'7" x 8'10"	2.7

STANDARD LAMP PHOTOMETRIC