

Navigator GD-0905

Pathlighting
Stairway/Step Lighting



Nightscaping®
1705 E. Colton Avenue
Redlands, California 92374
Tel: (909) 794-2121
Fax: (909) 794-7292
Help Line: (800) 544-4840
Email: wlocklin@nightscaping.com
<http://www.nightscaping.com>

Use the Nightscaping® brand Navigator to cast a tight, highly controlled circle of light. As the name suggests, the Navigator is a highly effective pathlight that allows you to provide safety and transverse lighting throughout any property. Tuck this small fixture into low ground cover for an especially pleasing and functional effect.

Standard Lamp: GD-0905-1 -LO93 (Standard)

Material: **Top/Stem:** Phosphatized Steel
Also available in Copper

Finish: GD-0905 -1, -7 (Standard)
GD-0905 -2, -3, -4, -8, -9, -AV, -VP, -W
(Optional w/surcharge)
GD-0905 CU Copper
GD-0905 CU-V Copper-Verde

Socket: Non-corroding polycarbonate (Single-Contact Bayonet)

Mounting: Spike Mount (Standard)

Nightscaping The Safe System

Navigator

GD-0905



Lighting Unit
Listed 19FK

Nightcaping™ The Safe System

Alternative Lamps: GD-0905-1 -LO1141, -LO1156, -LO67, -LO89 (Optional)

Mounting Options:

GD-0905-1-LO93	-CM (Optional)	Conduit Mount with 1/2" male pipe threads. (Factory installed)
GD-0905-1-LO93	-FMO (Optional)	Floor Mount - Aluminum
GD-0905CU-LO93	-FMO (Optional)	Floor Mount - Brass

Options: See above indications

Stems (Steel/Copper):

GD-0905-1-LO93	-H08	4" longer stem (12" total fixture height)
GD-0905-1-LO93	-H18	14" longer stem (22" total fixture height)

Accessories:

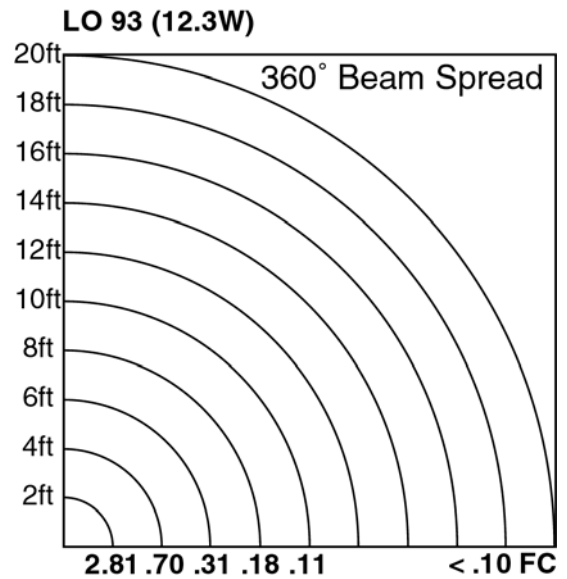
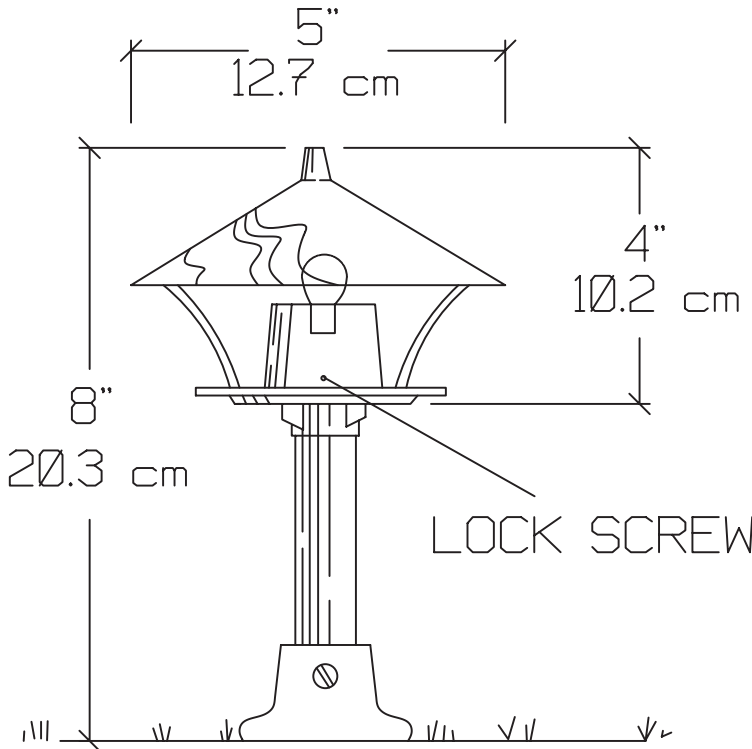
Sprinkler Shield: Keeps water away from lamp.

WS-1515-N	-C	Clear Pyrex
WS-1515-N	-A, -B, -G, -R	Colored Pyrex

Light Shield: Cuts side light when lamp must be exposed to view.

0905-S	-W	Steel (Powder-coated White)
0905-S	-CU	Copper (Natural)

Warranty: 10-Year 'Repair or Replace' Warranty.



STANDARD LAMP PHOTOMETRIC