

Masterliter MR-0508

Uplighting
Spot Lighting
Architectural Lighting
Fountain/Statue Lighting
Highlighting
Sign Lighting
Wall Lighting
Cross Lighting
Backlighting
Reflective Lighting
Mirror Lighting

Nightscaping®
1705 E. Colton Avenue
Redlands, California 92374
Tel: (909) 794-2121
Fax: (909) 794-7292
Help Line: (800) 544-4840
Email: wlocklin@nightscaping.com
<http://www.nightscaping.com>



Install the Masterliter anywhere a durable, inconspicuous, and highly controlled uplight is needed. This direct burial fixture comes equipped with a positional MR-16 lamp that allows for excellent light control and an inner assembly that can be retrofitted to hold a PAR-36 lamp should the application or technique ever need modification due to a changing environment. Features Nightscaping's® exclusive 78-40 safety switch (See Wallliter, page UL-47 for details).

Standard Lamp: MR-0508 -LO2036 (Standard)

Material: **Outer Body:** Black ABS Conduit
Inner Body: Copper
Gimbal Ring: Stainless Steel

Finish: **MR-0508**
Unpainted ABS Black Direct Burial Conduit Outer Body -
Copper Inner Body (Standard)
MR-0508-1, -2, -3, -4, -7, -8, -9, -AV, -VP, -W
Unpainted ABS Black Direct Burial Conduit Outer Body -
Powder-Coated Inner Body (Optional w/surcharge)

Lens: Clear Pyrex Lens (Standard) - sealed with silicone

Socket: Ceramic G6.35 Bi-Pin

Mounting: Direct Burial (Standard)

Nightscaping™ The Safe System

Masterliter

MR-0508



Nightscaping™ The Safe System

Alternative Lamps: MR-0508 -LO1024*, -LO2006, -LO2012, -LO3512, -LO3520, -LO3540, -LO4208, -LO5012, -LO5024, -LO5038, -LO5055, -LH5024*, -LH5036* (Optional)

Lens: MR-0508-LO2036 -A, -B, -G, -MB, -R, -S (Optional)

Options: See above indications

Accessories: **Gimbal Ring with Lamp: Replaces existing Walliter (GU-0508) PAR-36 Assembly to Master-liter MR-16**
 MR-0600 -LO2036 (Standard)
 MR-0600 -LO1024*, -LO2006, -LO2012, -LO3512, -LO3520, -LO3540, -LO4208, -LO5012, -LO5024, -LO5038, -LO5055, -LH5024*, -LH5036* (Optional)

* = Surcharge

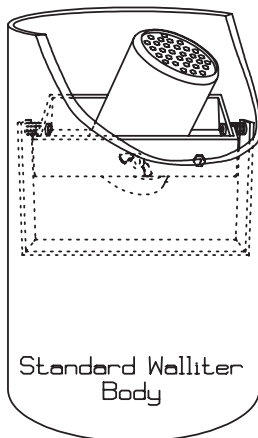
Grates: Fit securely on inside/top of fixture for minimum light output interference but maximum side shielding. Body must be inverted.

GI-0505 -1, -2, -3, -4, -7, -8, -9, -AV, -VP, -W Inner Round Grate - Aluminum
 GL-0606-1, -2, -3, -4, -7, -8, -9, -AV, -VP, -W Outer Round Grate - Aluminum
 GL-0607-1, -2, -3, -4, -7, -8, -9, -AV, -VP, -W Outer Square Grate - Steel
 GL-0607BR Outer Square Grate - Brass
 GL-0607BR-1, -2, -3, -4, -7, -8, -9, -AV, -VP, -W Outer Square Grate - Powder-coated Brass

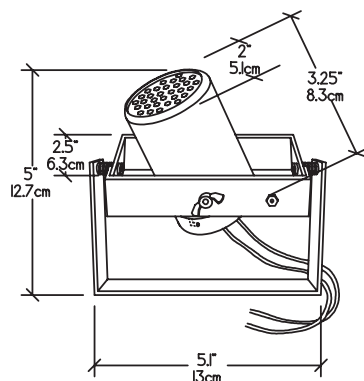
Lens for Inner Body:

NS-CU-C (Standard/Accessory) Clear Lens
 NS-CU-A, -B, -G, -MB, -R, -S Colored Lens

Warranty: 10-Year 'Repair or Replace' Warranty.



Gimbal Ring (MR-0600)
 Available Separately
 to upgrade existing
 Walliter.



	LO 2036 (BAB) (20W)	42° x 42°
2ft	1'6"	131.3 FC
4ft	3'0"	32.8
6ft	4'7"	14.6
8ft	6'1"	8.2
10ft	7'8"	5.3
12ft	9'2"	3.7
14ft	10'9"	2.7
16ft	12'3"	2.1
18ft	13'9"	1.6
20ft	15'4"	1.3

STANDARD LAMP PHOTOMETRIC

DESIGN TIP*

Do not use plexiglass lens option in combination with narrow beam lamps or lamps in excess of 25 watts.