

Magnaliter GU-1265

Uplighting

Backlighting

Reflective Lighting

Architectural Lighting

Sign Lighting

Wall Lighting

Area Lighting

Mirror Lighting

Highlighting

Recreational Lighting



Nightscaping®

1705 E. Colton Avenue
Redlands, California 92374
Tel: (909) 794-2121
Fax: (909) 794-7292
Help Line: (800) 544-4840
Email: wlocklin@nightscaping.com
<http://www.nightscaping.com>

Use the Nightscaping® Magnaliter as a soft low level accent light or as bright uplight for large structure and trees depending on the bi-pin lamp you specify. The standard, hammered aluminum reflector shield allows you to achieve optimum light output with minimal distortions. Try the Magnaliter for sign and commercial applications wherever general wide spread light, of either low or high concentration, is needed.

Standard Lamp: GU-1265-1 -LOQ20 (Standard)

Material: **Body:** Black Fiber-Impregnated Composite
Stem: Aluminum

Finish: GU-1265
Black Composite (Standard)

Lens: Clear Tempered (Standard)

Socket: Ceramic socket G6.35 Bi-pin

Mounting: Spike Mount (Standard)

Nightscaping™ The Safe System

Magnaliter

GU-1265



Nightscooping[™] The Safe System

Alternative Lamps: GU-1265-1 -LOQ5, -LOQ10, -LOQ35 (Optional)
 GU-1265-1 -LOQ50 (Optional w/GY6.35 Socket)

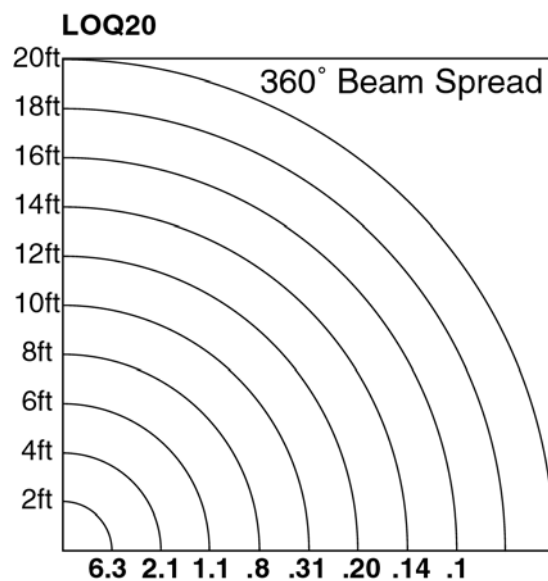
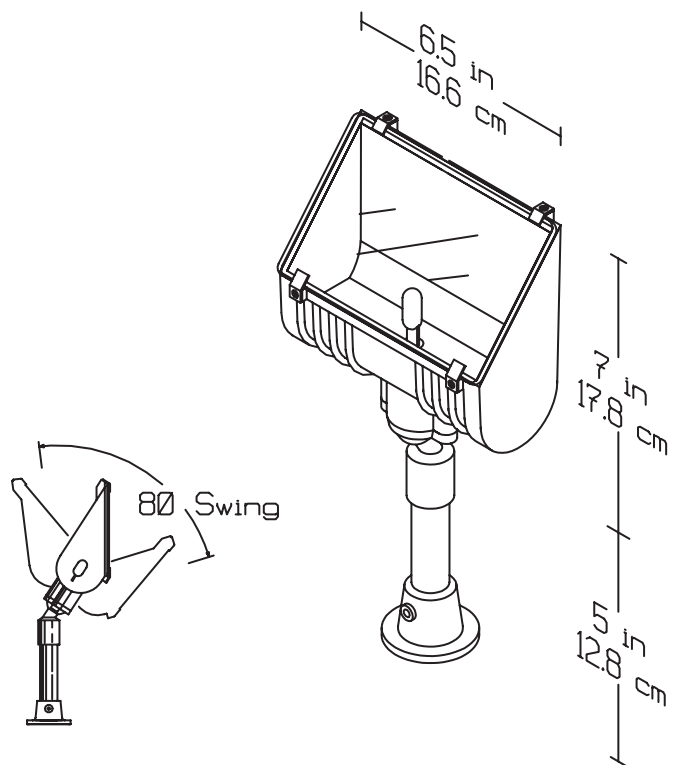
Lens: Clear Tempered (Standard)

Mounting Options: GU-1265-1-LOQ20 -CM (Optional) Conduit Mount with 1/2" male pipe threads. (Factory installed)
 GU-1265-1-LOQ20 -FMO (Optional) Floor Mount - Aluminum

Options: See above indications

Accessories: **Lens:**
 NS-MA-C (Standard/Accessory) Clear Lens
 NS-MA-S Spread Lens
Light Shield: Used for extra light shielding
 1265-S-1, -2, -3, -4, -7, -8, -9, -AV, -VP, -W (Optional w/surcharge)
 1265-S-CU Copper
 1265-S-CU-V Copper-Verde

Warranty: 10-Year 'Repair or Replace' Warranty.



STANDARD LAMP PHOTOMETRIC