

# Lipinskiliter GU-6503BR

Uplighting

Spot Lighting

Fountain/Status Lighting

Sign Lighting

Wall Lighting

Cross Lighting

Backlighting

Reflective Lighting

Mirror Lighting

Flood Lighting



## Nightscaping®

1705 E. Colton Avenue

Redlands, California 92374

Tel: (909) 794-2121

Fax: (909) 794-7292

Help Line: (800) 544-4840

Email: [wlocklin@nightscaping.com](mailto:wlocklin@nightscaping.com)

<http://www.nightscaping.com>

Guarantee quality and function when you specify the solid brass Lipinskiliter. This specification-grade fixture is ideally suited for both commercial and residential projects. The Lipinskiliter will accommodate any Nightscaping® supplied MR-16 lamp, our LO2036 is supplied standard. Equipped with a built in eyebrow, this fixture will serve as an effective uplight or spotlighting fixture that delivers perfect lighting effects and simultaneously minimizes glare. Backed by Nightscaping's® LIFETIME Guarantee, this durable and versatile uplight will add beauty to any landscape for the life of the lighting system.

**Standard Lamp:** GU-6503BR -LO2036 (Standard)

**Material:** Cast Brass

**Finish:** GU-6503 BR (Standard) Natural Brass  
GU-6503 BR-1, -2, -3, -4, -7, -8, -9, -AV, -VP, -W  
(Optional w/surcharge)

**Lens:** Clear Tempered Glass (Standard)

**Socket:** Ceramic G6.35 Bi-Pin

**Mounting:** Spike Mount (Standard)

*Nightscaping*™ The Safe System

# Lipinskiliter

## GU-6503BR

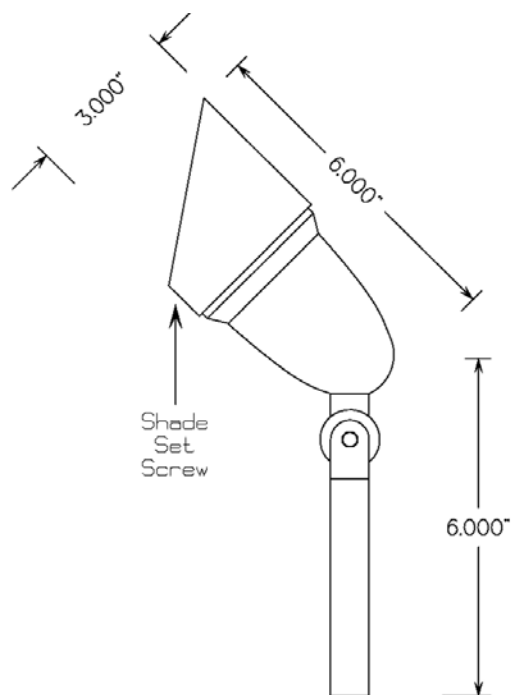
*Nightscaping*™ The Safe System

**Alternative Lamps:** GU-6503BR -LO1024\*, -LO2006, -LO2012, -LO3512, -LO3520, -LO3540, -LO4208, -LO5012, -LO5024, -LO5038, -LO5055, -LH5024\*, -LH5036\* (Optional)  
 \* = Surcharge

**Options:** GU-6503BR -LO2036 -S Spread Lens (Optional)  
 See above indications

**Accessories:** **Lens:**  
 NS-OK-C (Standard/Accessory) Clear Lens  
 NS-OK-S Spread Lens  
**Tree Mount: Brass - Tree Mount with 2 Buckles**  
 1202BR  
 1202BR-V  
 1202BR-1, -2, -3, -4, -7, -8, -9, -AV, -VP, -W (Optional w/surcharge)

**Warranty:** LIFE 'Repair or Replace' Warranty.



	LO 2036 (BAB) (20W)	42° x 42°
2ft	1'6"	131.3 FC
4ft	3'0"	32.8
6ft	4'7"	14.6
8ft	6'1"	8.2
10ft	7'8"	5.3
12ft	9'2"	3.7
14ft	10'9"	2.7
16ft	12'3"	2.1
18ft	13'9"	1.6
20ft	15'4"	1.3

STANDARD LAMP PHOTOMETRIC

**DESIGN TIP\***