

Integraliter GD-0402

Architectural Lighting

Deck/Dock Lighting

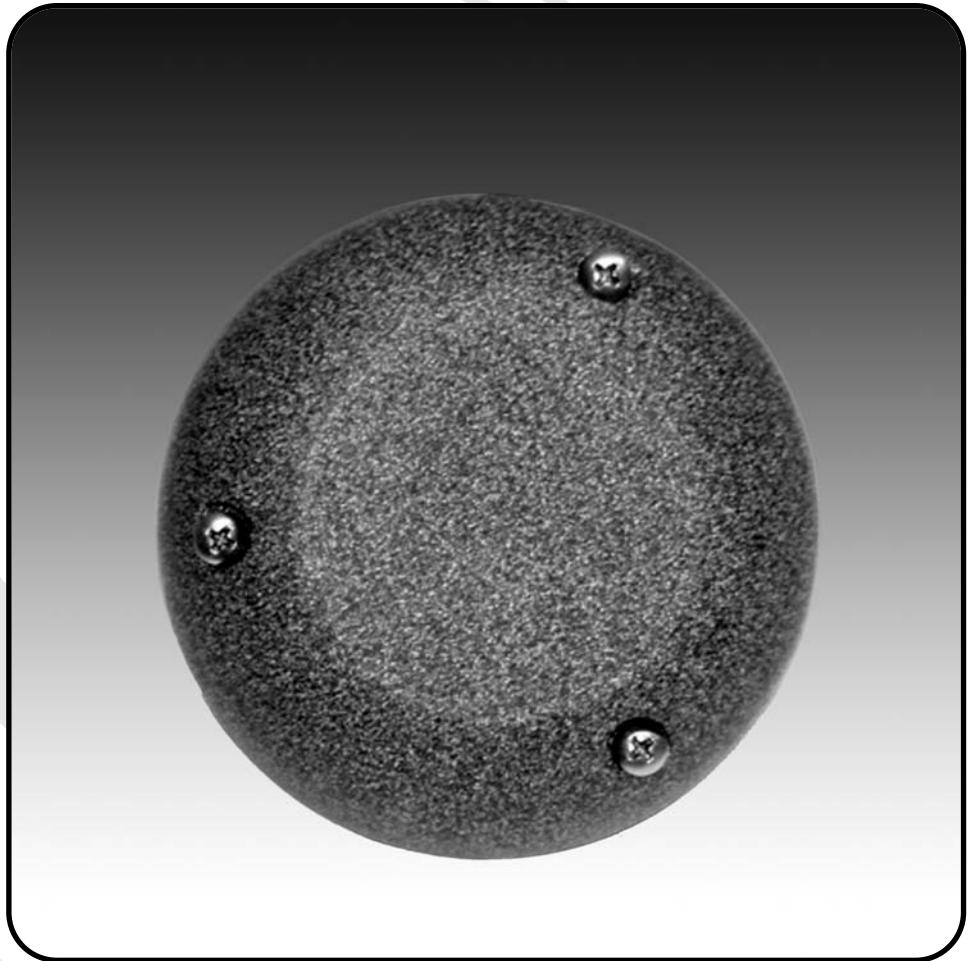
Pathlighting

Backlighting

Reflective Lighting

Wall Lighting

Stairway/Step Lighting



Nightscaping®

1705 E. Colton Avenue
Redlands, California 92374

Tel: (909) 794-2121

Fax: (909) 794-7292

Help Line: (800) 544-4840

Email: wlocklin@nightscaping.com

<http://www.nightscaping.com>

Use the Nightscaping® Integraliter as a ground mounted pathlight, a wall sconce with a 360 degree spread, or on handrails and ledges that require specific safety lighting. The Integraliter is also a perfect low-profile light source for your projects that feature decks and docks. The Integraliter's compact design makes this a very unobtrusive yet highly functional fixture you can use for multiple landscape, architectural, deck and dock lighting applications.

Standard Lamp: GD-0402-1 -LOQ20 (Standard)

Material: **Top:** Cast Aluminum
Mount Plate: Stainless Steel

Finish: GD-0402 -1, -7 (Standard)
GD-0402 -2, -3, -4, -8, -9, -AV, -VP, -W
(Optional w/surcharge)

Lens: **Sprinkler Shield:** Keeps water away from lamp.

Socket: Ceramic G4 Bi-Pin

Mounting: Key-hole Slot Mount (Standard)

Nightscaping® The Safe System

Integraliter

GD-0402



*Nightscaping*TM Safe System

Alternative Lamps: GD-0402-1 -LOQ5, -LOQ10, -LOQ35 (Optional)

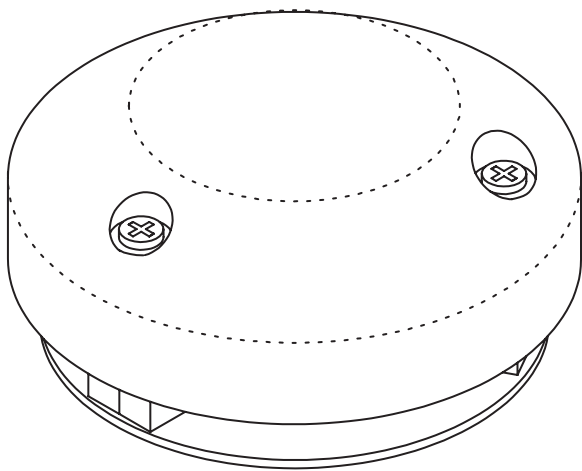
Lens: WS-0301-C (Standard/Accessory) Clear Sprinkler Shield
 WS-0301-A, -B, -G, -R, -S (Accessory) Colored Sprinkler Shield

Options: See above indications

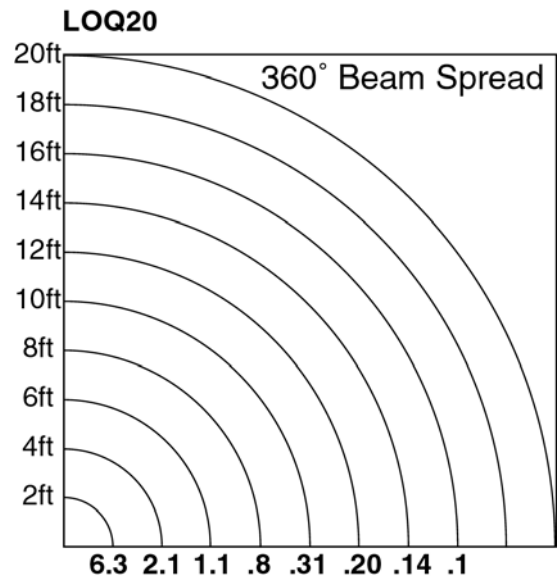
Accessories: See above indications

Warranty: 10-Year 'Repair or Replace' Warranty.

4.50"



2.10"



STANDARD LAMP PHOTOMETRIC