

# Infinityliter AD-1309

Pathlighting

Stairway/Step Lighting

Downlighting

Highlighting

Deck/Dock Lighting



**Nightscaping®**

1705 E. Colton Avenue  
Redlands, California 92374  
Tel: (909) 794-2121  
Fax: (909) 794-7292  
Help Line: (800) 544-4840  
Email: [wlocklin@nightscaping.com](mailto:wlocklin@nightscaping.com)  
<http://www.nightscaping.com>

Throw light virtually to infinity with your choice of 90, 180, or 360 degree beam patterns when you specify the Infinityliter. With its cast aluminum top and built in shield that extends lamp life and maximizes light output, the Infinityliter offers you a durable and attractive lighting solution for multiple landscape applications.

**Standard Lamp:** AD-1309-1 -LOQ20 (Standard)

**Material:** **Top:** Cast Aluminum.  
**Stem:** Aluminum

**Finish:** AD-1309 -1, -7 (Standard)  
AD-1309 -2, -3, -4, -8, -9, -AV, -VP, -W  
(Optional w/surcharge)

**Lens:** **Sprinkler Shield:** Keeps water away from lamp.

**Socket:** Ceramic GY4 Pin

**Mounting:** Spike Mount (Standard)

*Nightscaping* The Safe System

# Infinityliter

## AD-1309



*Nightscaping*™ The Safe System

**Alternative Lamps:** AD-1309-1 -LOQ5, -LOQ10, -LOQ35 (Max) (Optional)

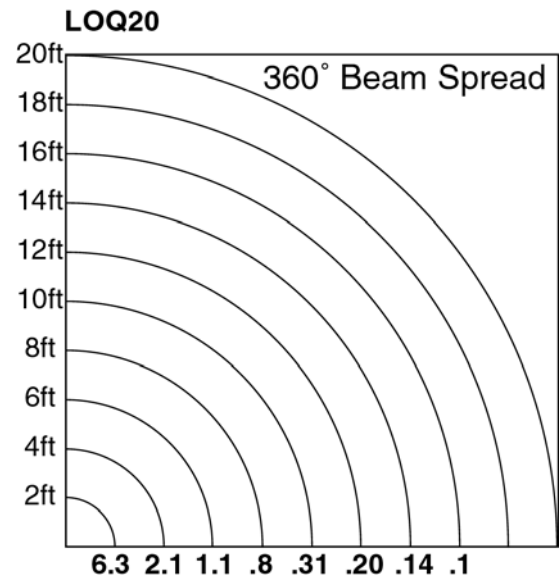
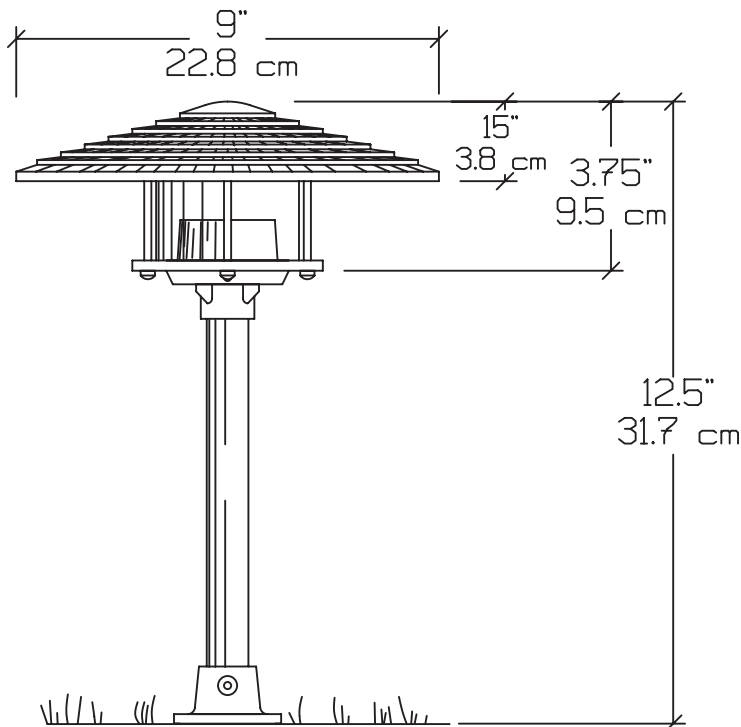
**Lens:** WS-0302-C (Standard/Accessory) Clear Sprinkler Shield  
 WS-0302-S (Accessory) Spread Sprinkler Shield

**Mounting Options:** AD-1309-1-LOQ20 -CM (Optional) Conduit Mount with ½" male pipe threads. (Factory installed)  
 AD-1309-1-LOQ20 -FMO (Optional) Floor Mount - Aluminum

**Options:** See above indications

**Accessories:** See above indications  
**Light Shield:** Cuts side light when lamp must be exposed to view.  
 1309-S90 90° Shield  
 1309-S180 180° Shield  
 1309-S270 270° Shield  
 1309-S360 360° Shield

**Warranty:** 10-Year 'Repair or Replace' Warranty.



STANDARD LAMP PHOTOMETRIC

### DESIGN TIP\*

The Infinityliter is great for throwing a wide pattern of low-profile light across a driveway.