

Coverliter GU-0404CU

Uplighting
Spot Lighting
Architectural Lighting
Fountain/Statue Lighting
Highlighting
Sign Lighting
Wall Lighting
Cross Lighting
Backlighting
Reflective Lighting
Mirror Lighting



Nightscaping®
1705 E. Colton Avenue
Redlands, California 92374
Tel: (909) 794-2121
Fax: (909) 794-7292
Help Line: (800) 544-4840
Email: wlocklin@nightscaping.com
<http://www.nightscaping.com>

Take control of uplighting tall trees, structures, architecture and public spaces by using the Nightscaping® brand Coverliter. Featuring a removable outer cover that acts as an adjustable eyebrow, the Coverliter offers you a built in solution for minimizing glare.

Standard Lamp: GU-0404CU -LO2036 (Standard)

Material: **Body/Stem/Cover:** Copper
Knuckle: Brass

Finish: GU-0404 CU (Standard) Copper
GU-0404 CU-V Copper-Verde
GU-0404 CU-1, -2, -3, -4, -7, -8, -9, -AV, -VP, -W
(Optional w/surcharge)

Lens: Clear Pyrex Lens (Standard) - sealed with silicone

Socket: Ceramic G6.35 Bi-Pin

Mounting: Spike Mount (Standard)

Nightscaping[™] The Safe System

Coverlitter

GU-0404CU



Nightscaping™ The Safe System

| | | |
|---------------------------|-----------|---|
| Alternative Lamps: | GU-0404CU | -LO1024*, -LO2006, -LO2012, -LO3512, -LO3520, -LO3540, -LO4208, -LO5012, -LO5024, -LO5038, -LO5055, -LH5024*, -LH5036* (Optional) |
| | BU-0404CU | -LO1141, -LO1156, -LO67, -LO89 (SCB Lamp Option), -LO93 (SCB Lamp Option) |

*=Surcharge

Lens: GU-0404CU-LO2036 -A, -B, -G, -MB, -R, -S (Optional)

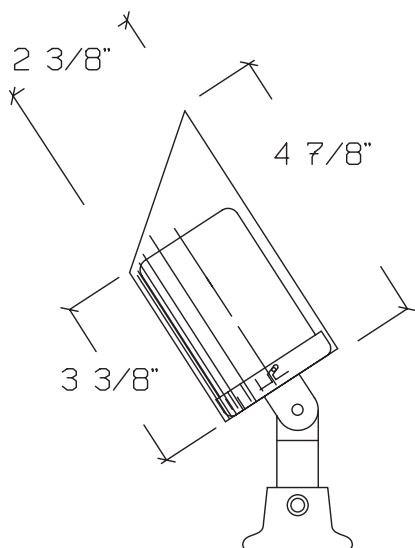
| | | | |
|--------------------------|------------------|-----------------|--|
| Mounting Options: | GU-0404CU-LO2036 | -TKN (Optional) | Threaded ½" Knuckle - Brass (No Spike) |
| | GU-0404CU-LO2036 | -CM (Optional) | Conduit Mount with ½" male pipe threads. (Factory installed) |
| | GU-0404CU-LO2036 | -FMO (Optional) | Floor Mount - Brass |

Options: See above indications
Without Cover:
 GU-0404CU-LO2036 -WOC Coverlitter without cover.

Accessories:

| | | |
|---|--|---------------------------------|
| Cover: | | |
| 0404CU (Standard/Accessory) | | Copper |
| 0404CU-V | | Copper-Verde |
| 0404CU-1, -2, -3, -4, -7, -8, -9, -AV, -VP, -W (Optional w/surcharge) | | |
| Lens: | | |
| NS-CU-C (Standard/Accessory) | | Clear Lens |
| NS-CU-A, -B, -G, -MB, -R, -S | | Colored Lens |
| Louvre: | | |
| LR-0202 | | Round 1/8" Black Louvre - Steel |
| Tree Bracket: | | |
| 1202BR | | Brass |
| 1202BR-V | | Brass-Verde |
| 1202BR-1, -2, -3, -4, -7, -8, -9, -AV, -VP, -W (Optional w/surcharge) | | |

Warranty: 10-Year 'Repair or Replace' Warranty



| | LO 2036 (BAB) (20W) | 42° x 42° |
|------|---------------------|-----------|
| 2ft | 1'6" | 131.3 FC |
| 4ft | 3'0" | 32.8 |
| 6ft | 4'7" | 14.6 |
| 8ft | 6'1" | 8.2 |
| 10ft | 7'8" | 5.3 |
| 12ft | 9'2" | 3.7 |
| 14ft | 10'9" | 2.7 |
| 16ft | 12'3" | 2.1 |
| 18ft | 13'9" | 1.6 |
| 20ft | 15'4" | 1.3 |

STANDARD LAMP PHOTOMETRIC