

# Brickliter WM-0802

Architectural Lighting  
Patio/Gazebo Lighting  
Deck/Dock Lighting  
Wall Lighting  
Stairway/Step Lighting  
Pathlighting



**Nightscaping®**  
1705 E. Colton Avenue  
Redlands, California 92374  
Tel: (909) 794-2121  
Fax: (909) 794-7292  
Help Line: (800) 544-4840  
Email: wlocklin@nightscaping.com  
<http://www.nightscaping.com>

Use the Nightscaping® brand Brickliter wherever a small recessed light is needed. Designed to be the size of a standard brick, this fixture can be installed where other fixtures might be too conspicuous in the landscape. It is ideal as a hidden source of safety light.

**Standard Lamp:** WM-0802-1 -LO93 (Standard) (2 lamp fixture)

**Material:** **Plate:** Stainless Steel  
Also available in Copper  
**Base Box:** Phosphatized Steel

**Finish:** WM-0802 -1, -7 (Standard)  
WM-0802 -2, -3, -4, -8, -9, -AV, -VP, -W  
(Optional w/surcharge)  
WM-0802 CU Copper  
WM-0802 CU-V Copper-Verde  
WM-0802 SS Stainless Steel

**Lens:** Horizontal Louvered Plate (Standard)

**Socket:** Non-corroding polycarbonate (Single-Contact Bayonet)

**Mounting:** Fits any standard Red Brick sized space.  
May be grouted into place

*Nightscaping* The Safe System

# Brickliter

## WM-0802



*Nightscaping*<sup>™</sup> The Safe System

**Alternative** WM-0802-1 -LO1141, -LO1156, -LO67, -LO89 (Optional)

**Lamps:**

**Options:**

See above indications

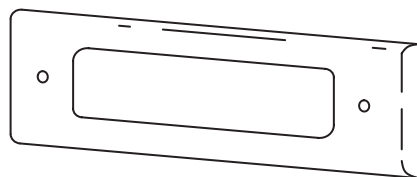
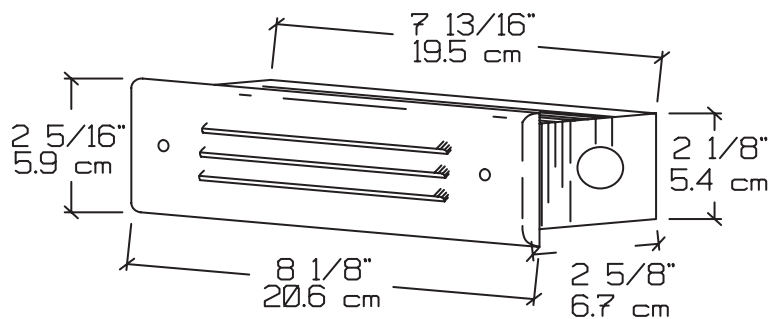
Face Plate:

WM-0802-1-LO93 -T

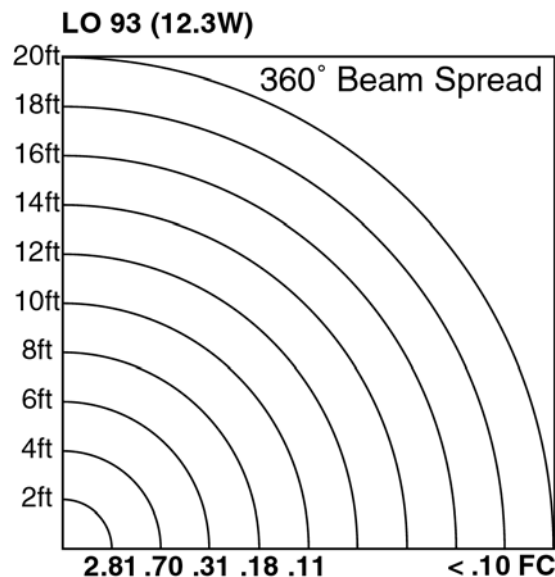
Rectangular Translucent Lexan lens instead of horizontal louvers.

**Warranty:**

10-Year 'Repair or Replace' Warranty.



Transparent Plate Available



STANDARD LAMP PHOTOMETRIC

### DESIGN TIP\*

The Brickliter is appropriate for vertical mounting and is available with a custom Stainless Steel cover plate featuring a slot mount design that allows for adjustment of this cover plate.