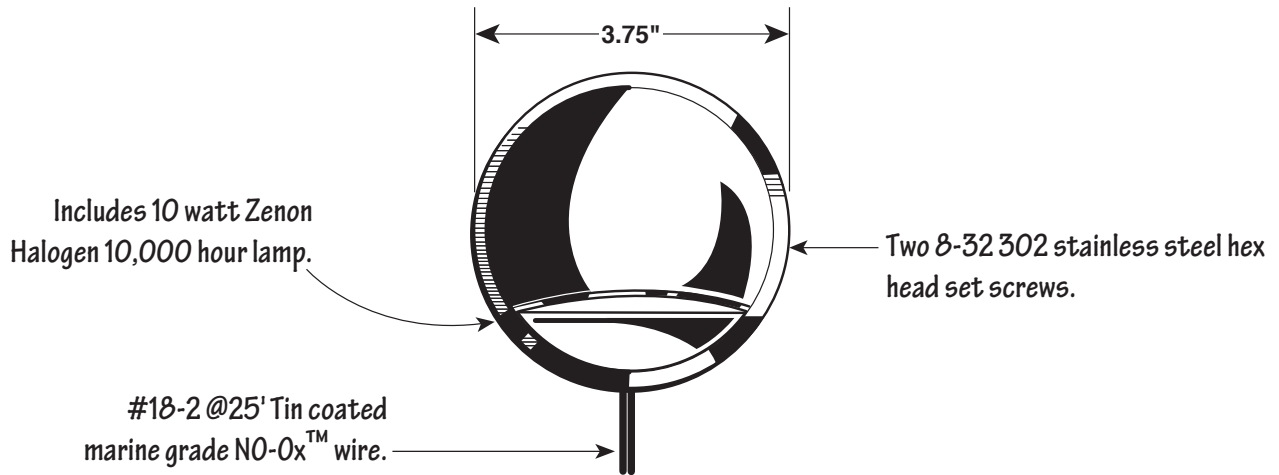
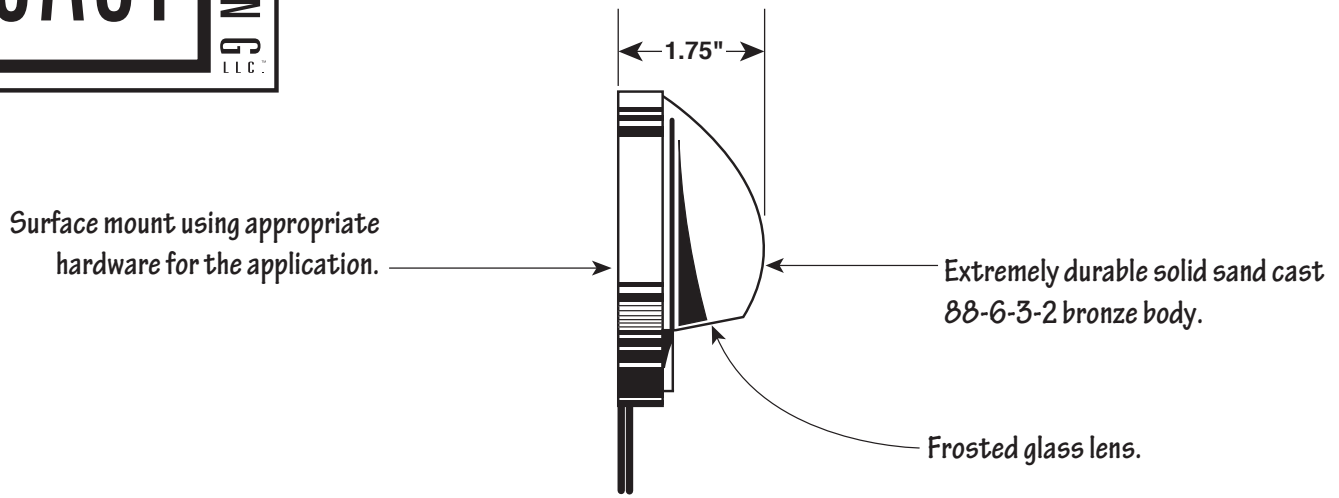




Must operate lamp between 10.8 -12.0 volts. Optimal range is 11.5. Check voltage with digital multi-meter.



Drawing not to scale

| MODEL # | Deck Light Typical Installation Detail |
|---------------|--|
| CDL1CB | NOTES: • Max Lamp Rating 20 watt • Supplied with 10 watt, 10,000 hour Zenon Halogen lamp. • Typical mount on 4" x 4" post. • Always refer to product instruction sheet prior to installation. |
| Rev. 2-28-03 | |
| Plan Symbol: | |